

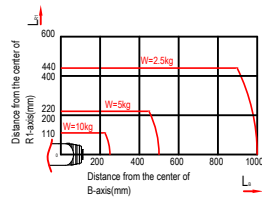
PT 3/8 - OD 8 HOSE
USER APPLICATION
AIR NIPPLE

HAN 24DD
USER APPLICATION
CONNECTOR
SIGNAL

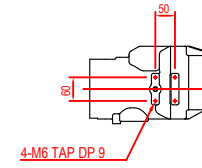
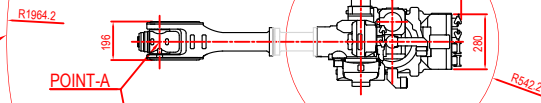


HAN 24DD
USER APPLICATION
CONNECTOR
POWER(OPTION)

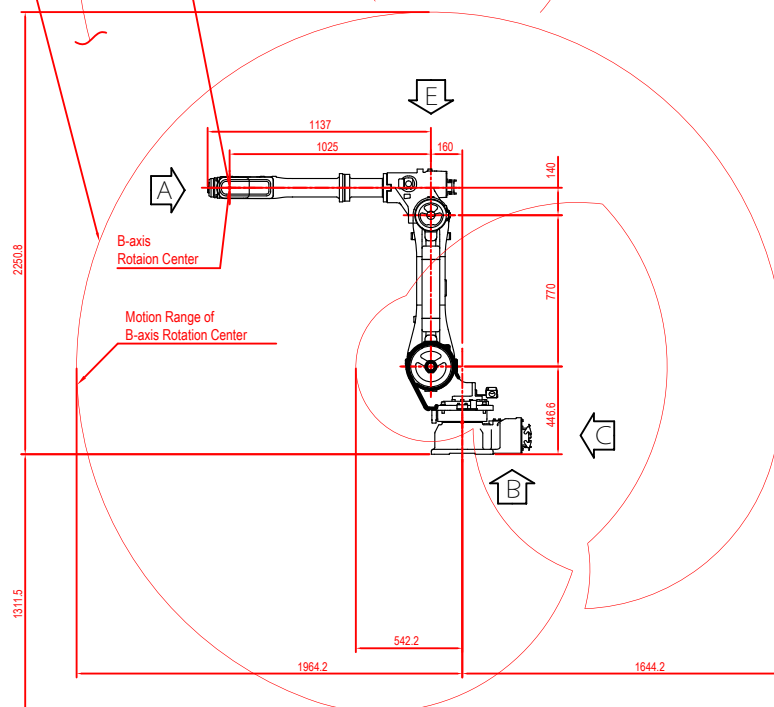
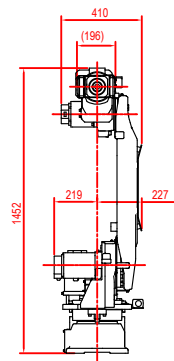
VIEW "D"
(SCALE: 3/1)



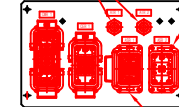
LOCUS
(POINT-A)



VIEW "E"
(SCALE: 2/1)



PT 3/8 OD 8 HOSE
USER APPLICATION
AIR NIPPLE



HAN 10EE
USER APPLICATION
CONNECTOR
POWER(OPTION)

VIEW "C"
(SCALE: 3/1)

HAN 24DD
USER APPLICATION
CONNECTOR
SIGNAL

Item	Model	HH010L
Configuration		Vertically Articulated
Degree of Freedom		6
Payload		10kg
Repeatability		±0.1mm
Motion Range	S-Axis	±185°
	H-Axis	+195°, -70°
	V-Axis	+260°, -170°
	H/V Interference	-80°, +180°
	R2-Axis	±195°
Maximum Speed	B-Axis	±135°
	R1-Axis	±360°
	S-Axis	3.32rad/s, 190° / s
	H-Axis	3.14rad/s, 180° / s
	V-Axis	3.32rad/s, 190° / s
Allowable Moment	R2-Axis	6.63rad/s, 380° / s
	B-Axis	6.63rad/s, 380° / s
	R1-Axis	10.47rad/s, 600° / s
	R2-Axis	24.5 N.m (2.5kgf.m)
	B-Axis	24.5 N.m (2.5kgf.m)
Allowable Moment of Inertia (GD²/4)	R1-Axis	10.5 N.m (1.1kgf.m)
	R2-Axis	0.63 kgf.m²
	B-Axis	0.63 kgf.m²
Mass		230 kg
Ambient Conditions	Temperature	0 ~ 45°C
	Humidity	20 ~ 85%RH (non-condensing)
	Vibration	Less than 4.9m/s²(0.5G)

MODEL	HH010L
DATE	2013.0 8.01
HYUNDAI HEAVY INDUSTRIES CO.,LTD. ENGINE & MACHINERY DIVISION	

