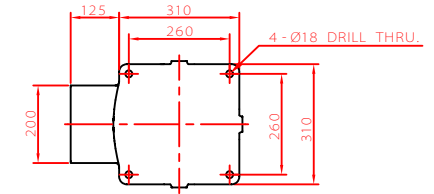
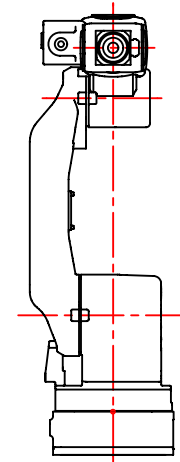
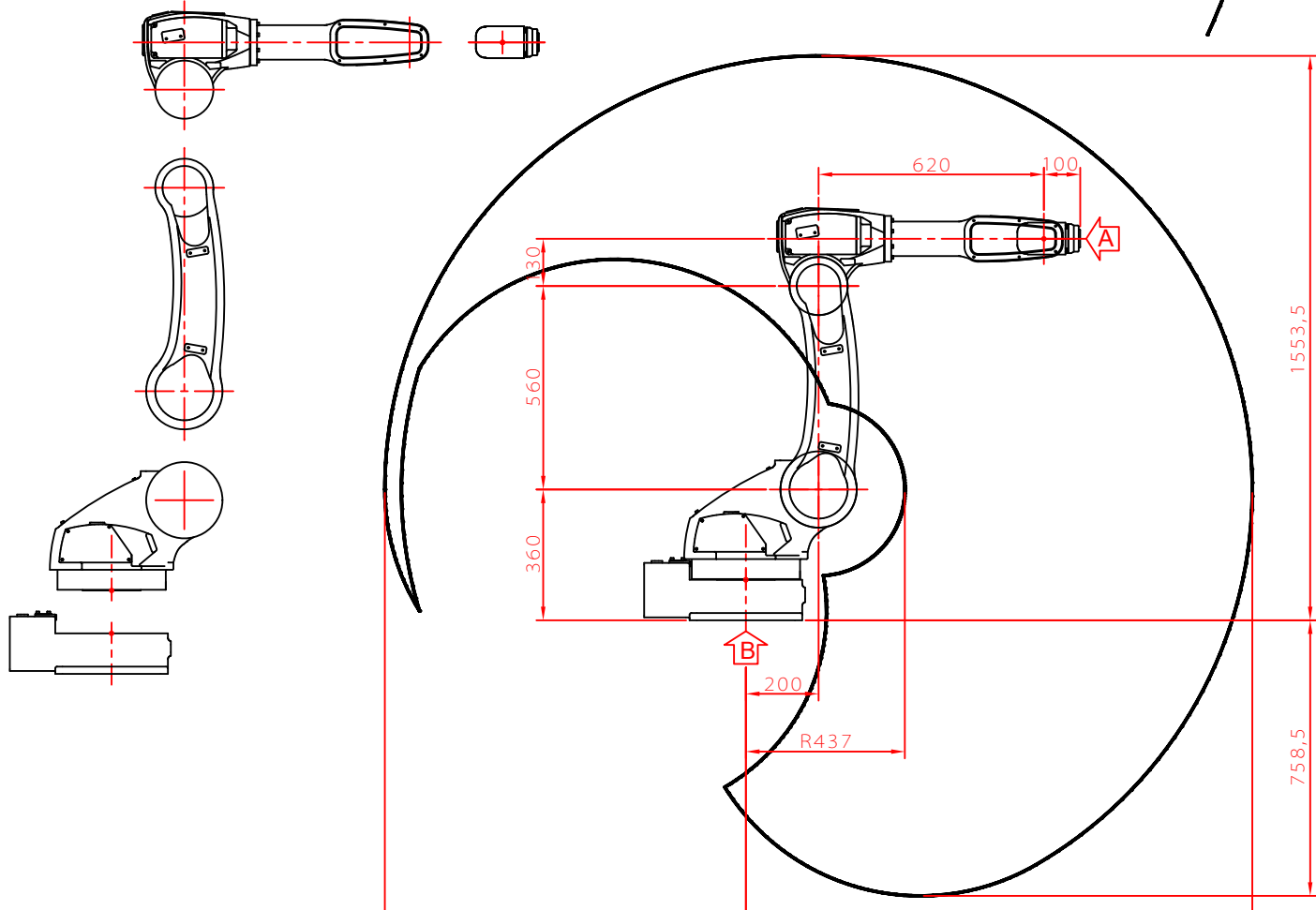


VIEW "A" For Tool Attachment (S=3:1)



VIEW "B" For Installation (S=1:1)



MODEL	HA006
DATE	2012.01.01